

MENADO LOUNGER 210cm 2000 (30) - 16512

PARTS LIST :

A. LEG 2 PCS



C. SEAT 1 PC



B. WHEEL 2 PCS



D. TRIANGULAR BLOCKS 4 PCS



HARDWARE :

E. WOODEN DOWELS

8 PCS

F. SCREW

32 PCS

G. AS BRUSS LOUNGER

2 SET

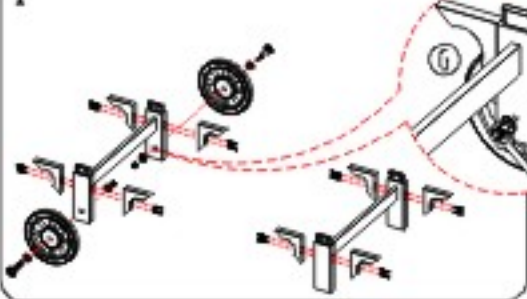
TOOLS REQUIRED:

H. PHILLIPS SCREWDRIVER (NOT INCLUDED)

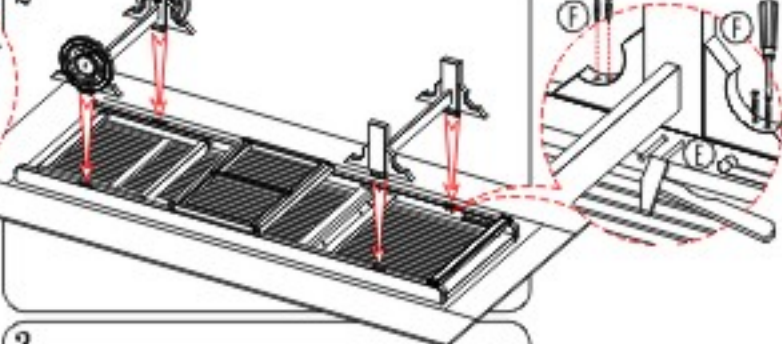


NOTE - Use a soft mallet hammer (not included) to prevent marking or denting wood when inserting wood dowels. Do not use excessive force to insert dowels. After inserting wood dowels, minimal sanding may be necessary to make dowel ends flush with surface

1



2



4



3

