

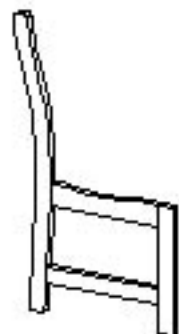
# WAVE DINING CHAIR 2002 - 11315

## PARTS LIST :

A. CHAIR LEG 2 PCS    B. CHAIR BACKREST 1 PC    C. CHAIR SEAT 1 PC

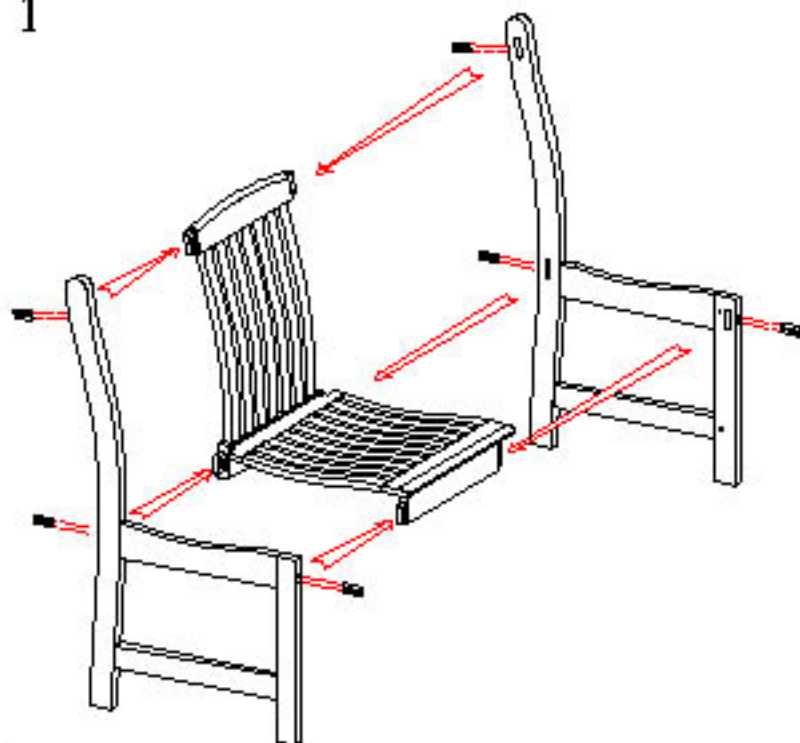
## HARDWARE :

D. WOODEN DOWELS 12 PCS



NOTE : Use a soft mallet hammer ( not included ) to prevent marking or denting wood when inserting wood dowels. Do not use excessive force to insert dowels. After inserting wood dowels, minimal sanding may be necessary to make dowel ends flush with surface.

1



2

