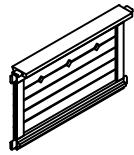


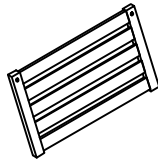
12160 - CRAFTSMAN ARMCHAIR

PART LIST :

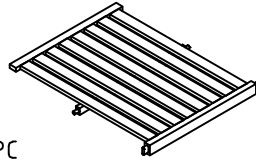
A. BACK FRAME 1 PC



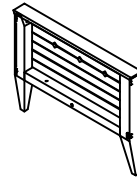
B. BACKREST FRAME 1 PC



C. SEATREST FRAME 1 PC



D. SIDE FRAME 2 PCS



HARDWARE :

E . ALLEN HEAD BOLT 2 PCS

F . ALLEN HEAD BOLT 2 PCS

G . ALLEN KEY 1 PC

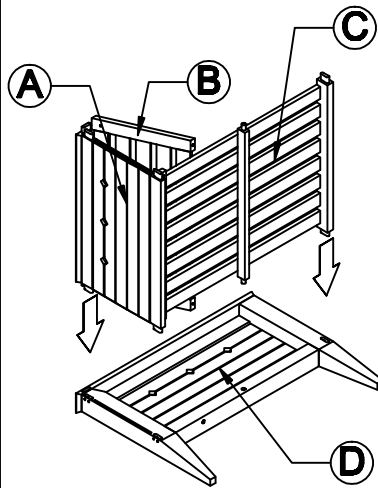
H . WOODEN DOWEL 12 PCS

I . WOODEN SCREW 2 PCS

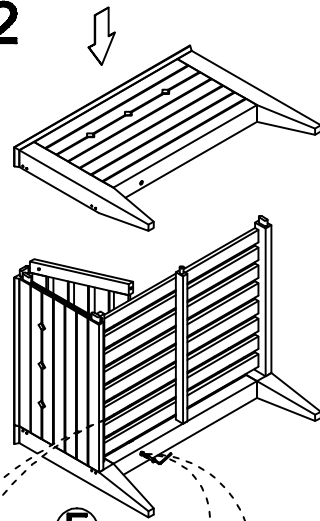


NOTE : Use a soft mallet hammer (not included) to prevent marking or denting wood when inserting wood dowels. Do not use excessive force to insert dowels. After inserting wood dowels, minimal sanding may be necessary to make dowel ends flush with surface.

1



2



3

