

ECLIPSE ARMCHAIR - 12254

PARTS LIST :

A. CHAIR LEG 2 PCS



B. WOODEN BAR 1 PC



C. CHAIR BACKREST 1 PC



D. CHAIR SEAT 1 PC



HARDWARE :

E. WOODEN DOWELS

12 PCS

F. SCREW

5 PCS

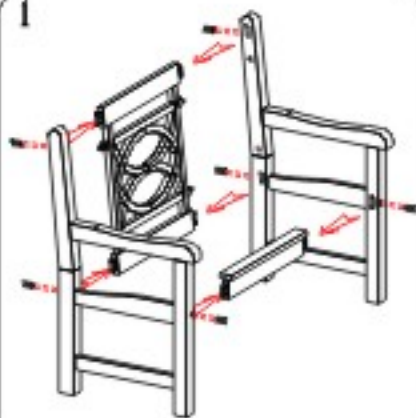
TOOLS REQUIRED :

G. PHILLIPS SCREWDRIVER (NOT INCLUDED)



NOTE : Use a soft mallet hammer (not included) to prevent marking or denting wood when inserting wood dowels. Do not use excessive force to insert dowels. After inserting wood dowels, minimal sanding may be necessary to make dowel ends flush with surface.

1



2



3

