

PART LIST :

A. Frame Top Table = 1 pc

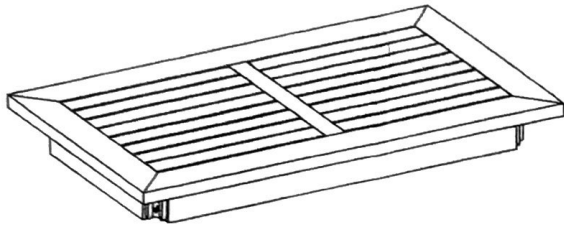
14345 - Veranda Teak Coffee Table

B. Leg = 4 pcs

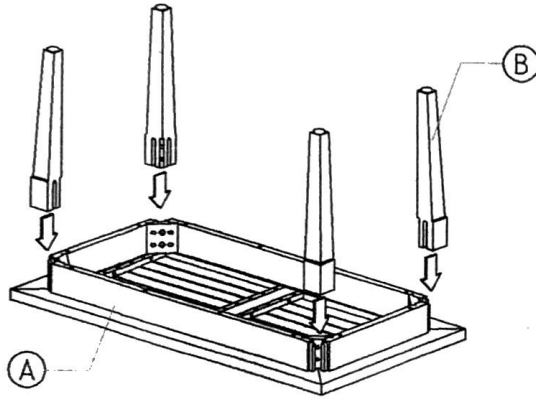
HARDWARE :

C. Hexagonal Bolt =  8 pcs

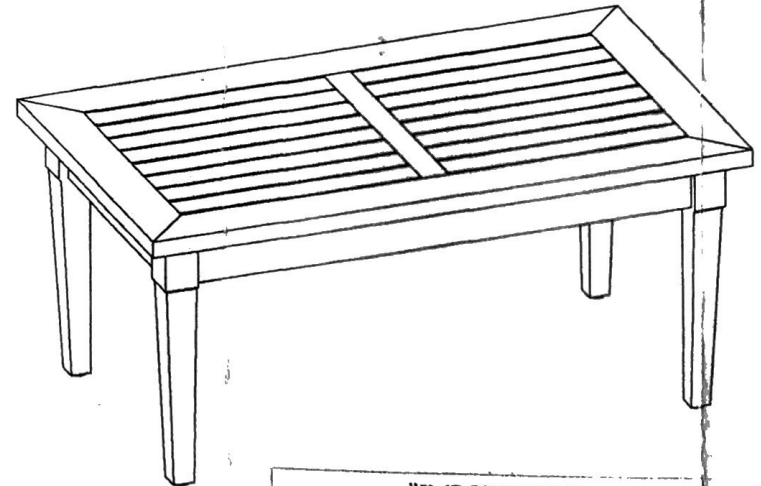
D. Allen Key =  1 pcs



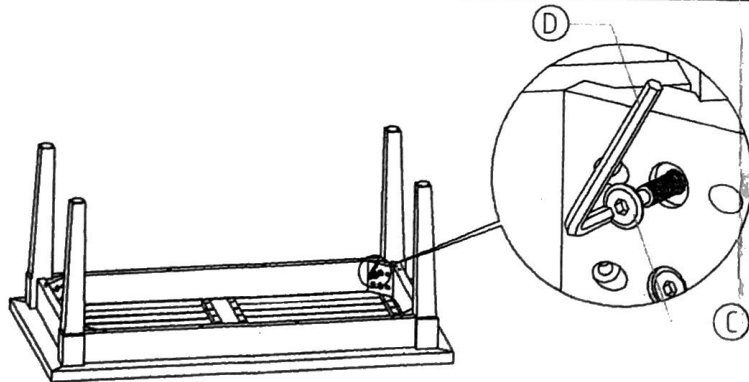
1



2



3



"IMPORTANT!!
Each joint is unique, precise and will fit flush. You must match the white numbered labels with the corresponding number on opposite piece. Put all pieces together **first** to assure that all the joints fit flush **then** tap in the wooden dowels"