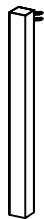


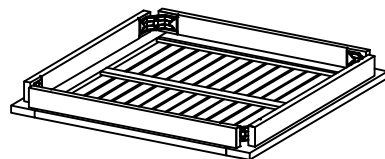
# 15005 - NEW BISTRO DINING TABLE

## PARTS LIST :

A. TABLE LEG 4 PCS



B. TABLE TOP 1 PC



## HARDWARE :

C. NUT 8 PCS



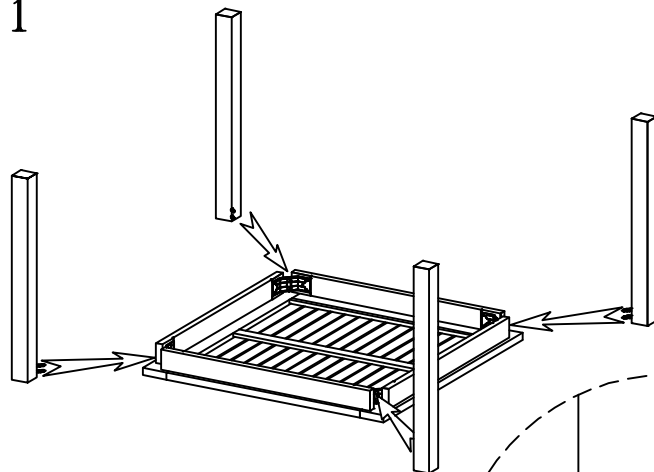
D. RING 8 PCS



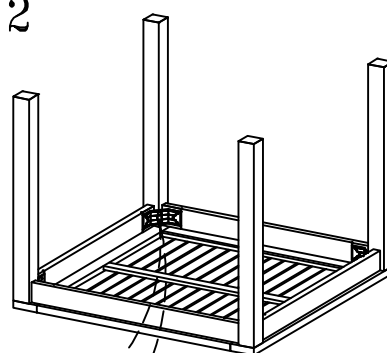
E. KEY 1 PC



1



2



3

