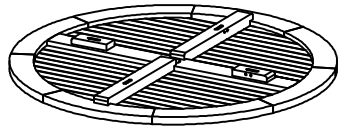


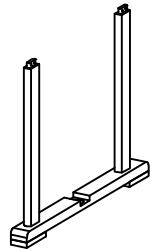
# 15047 - 48" ROUND TEAK TABLE

## PARTS LIST :

A. TABLE TOP 1 PC



B. TABLE LEGS 2 PCS



## HARDWARE :

C. WOODEN DOWELS 4 PCS



D. KD BOLT 4 PCS



E. ALLEN KEY 1 PC



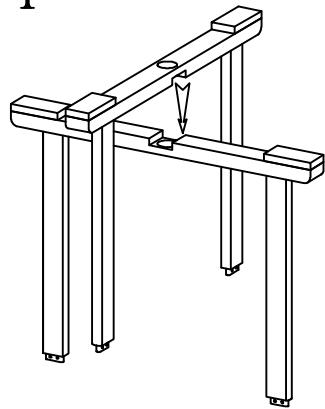
F. BRASS CUP 1 PC



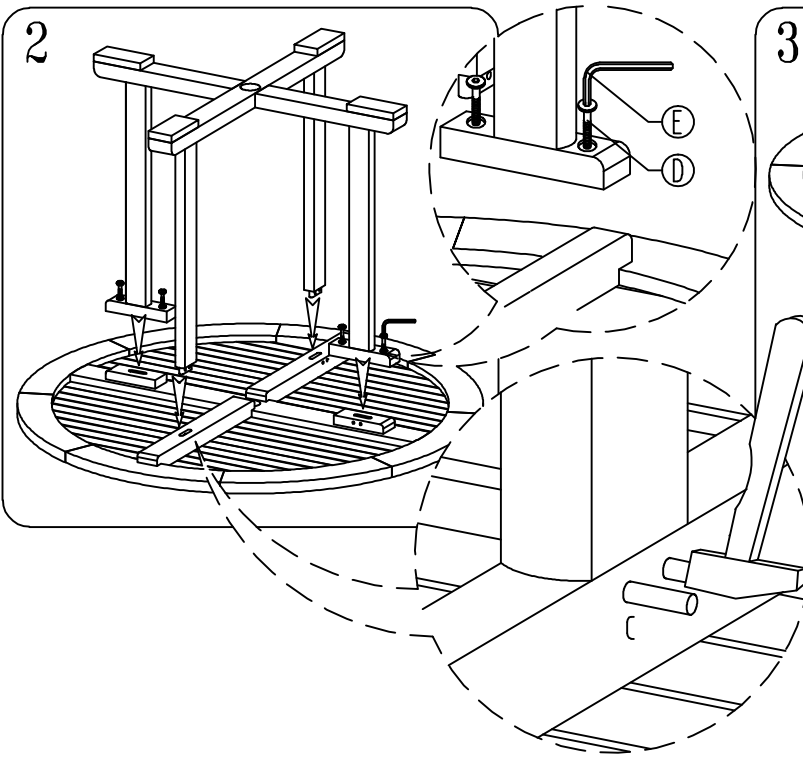
## TOOLS REQUIRED :

NOTE : Use a soft mallet hammer ( not included ) to prevent marking or denting wood when inserting wood dowels. Do not use excessive force to insert dowels. After inserting wood dowels, minimal sanding may be necessary to make dowel ends flush with surface.

1



2



3

