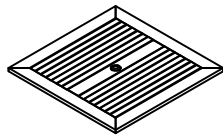


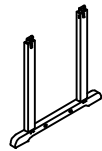
15770 - TEAK SQUARE TABLE 36" SQ

PART LIST :

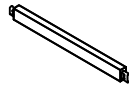
A. TOP TABLE 1PC



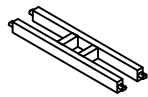
B. LEGS TABLE 2PCS



D. APRON 2PCS



C. STRETCHER 1PC



HARDWARE :

E. WOODEN DOWELS 8 PCS

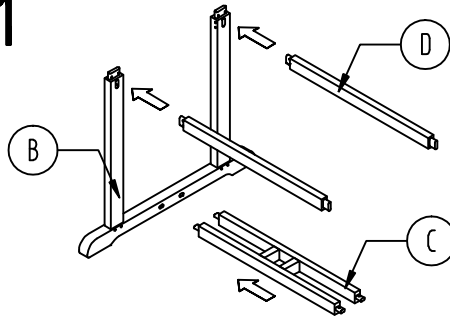


F. WOODEN DOWELS 12 PCS

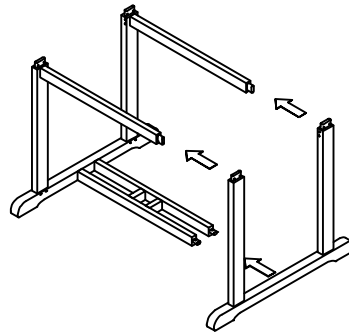


NOTE : Use a soft mallet hammer (not included) to prevent marking or denting wood when inserting wood dowels. Do not use excessive force to insert dowels. After inserting wood dowels, minimal sanding may be necessary to make dowel ends flush with surface.

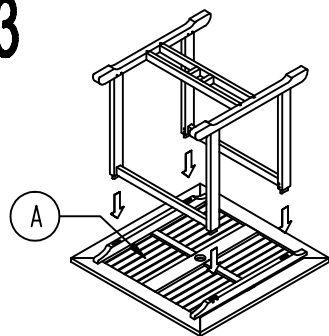
1



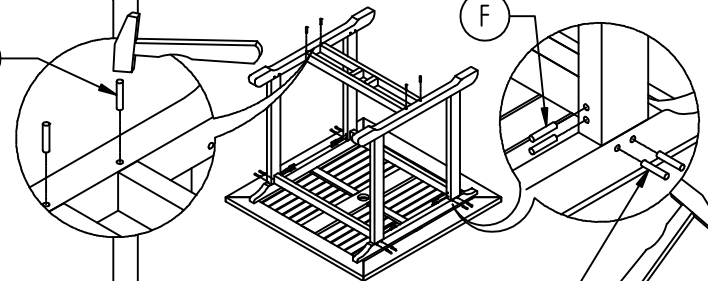
2



3



F



F

4

E

5

