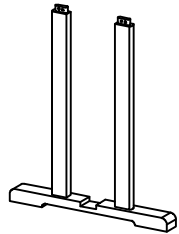


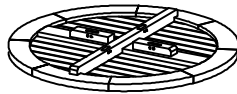
15771 - TEAK ROUND TABLE 30"dia

PARTS LIST :

A. TABLE LEGS 2 PCS



B. TABLE TOP 1 PC



HARDWARE :

C. WOODEN DOWELS

4 PCS



D. KD BOLT

4 PCS



E. ALLEN KEY

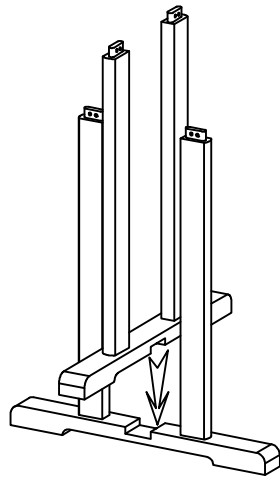
1 PCS



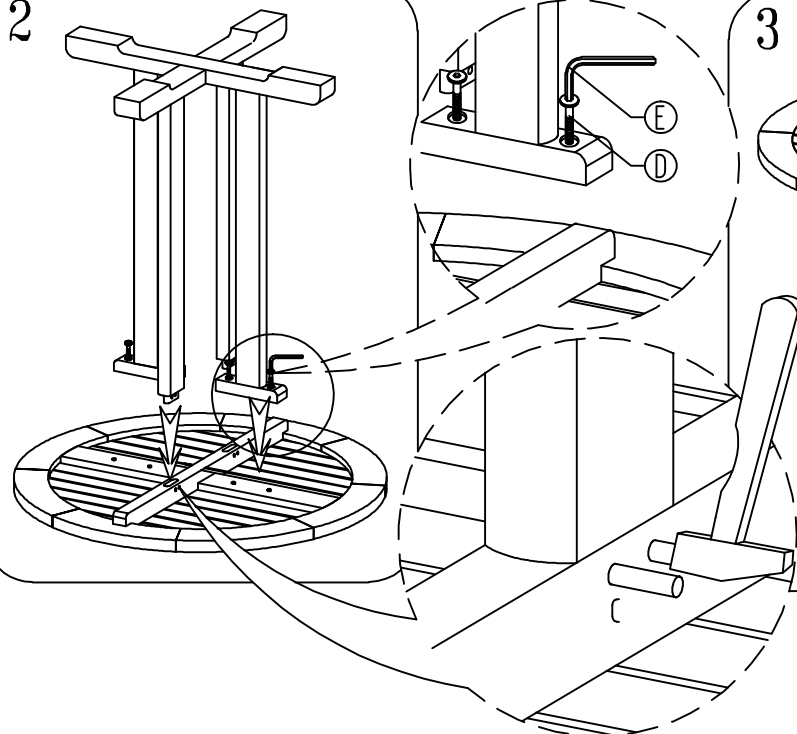
TOOLS REQUIRED :

NOTE : Use a soft mallet hammer (not included) to prevent marking or denting wood when inserting wood dowels. Do not use excessive force to insert dowels. After inserting wood dowels, minimal sanding may be necessary to make dowel ends flush with surface.

1



2



3

