

15823 - PYRAMID SQUARE TABLE 48"

PART LIST:

A TOP TABLE 1 PCE

B. LEGS 4 PCS

C. BASE LEG BOTTOM 1 PCE

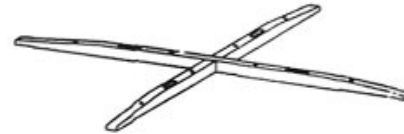
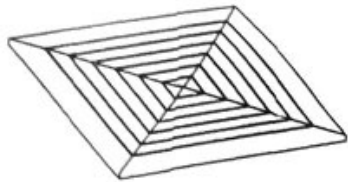
D. BASE LEG TOP 1 PCE

HARDWARE:

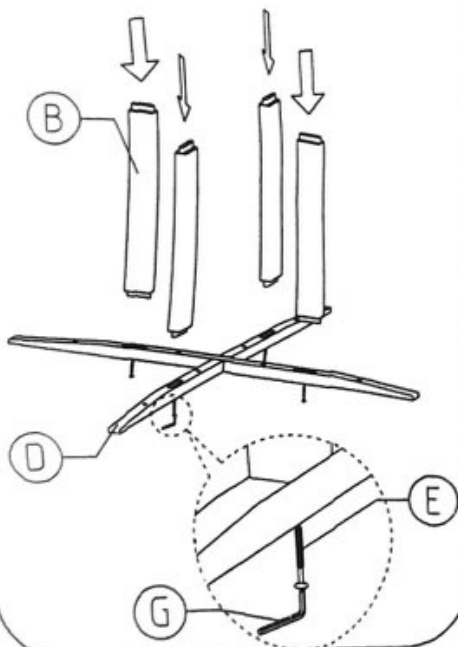
E. ALLEN SCREWS "A" 12 PCS

F. ALLEN SCREWS "B" 4 PCS

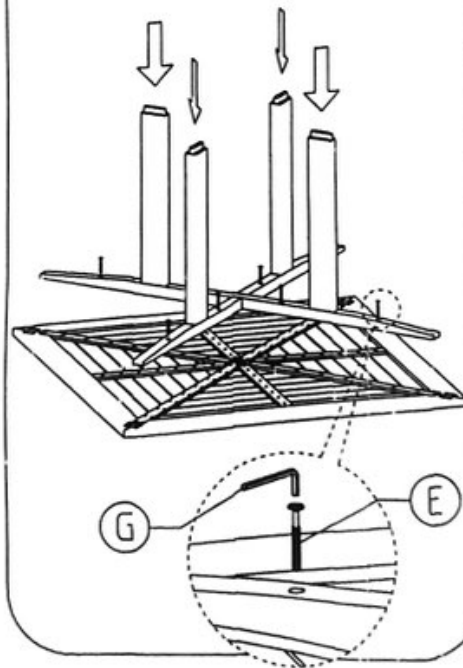
G ALLEN KEY 1 PCE



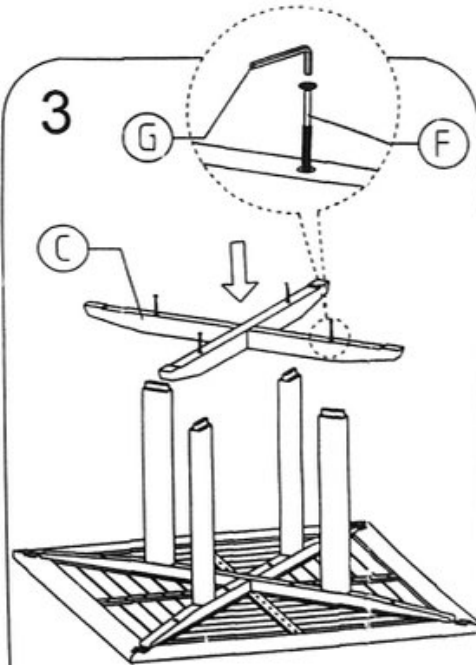
1



2



3



4



"IMPORTANT!!

Each joint is unique, precise and will fit flush. You must match the white numbered labels with the corresponding number on opposite piece. Put all pieces together **first** to assure that all the joints fit flush **then** tap in the wooden dowels"