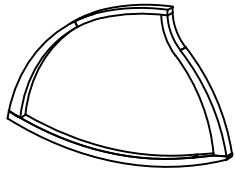


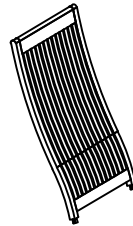
# 16419\_ARIA ROCKER CHAIR

## PARTS LIST :

A. CHAIR LEG 2 PCS



B. CHAIR BACKREST 1 PC



C. CHAIR SEAT 1 PC



D. FRONT CROSS BAR 1 PC



E. BACK CROSS BAR 1 PC



## HARDWARE :

F. WOODEN DOWELS A 2 PCS

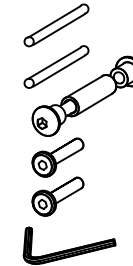
G. WOODEN DOWELS B 8 PCS

H. HEXAGONAL SCREW 2 PCS

I. HEXAGONAL SCREW A 2 PCS

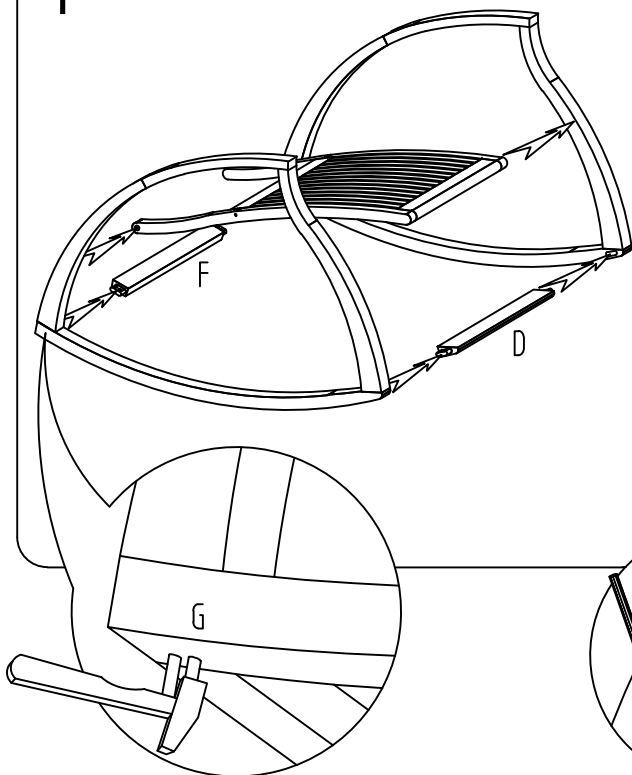
J. HEXAGONAL SCREW B 2 PCS

K. ALLEN KEY 1 PCS

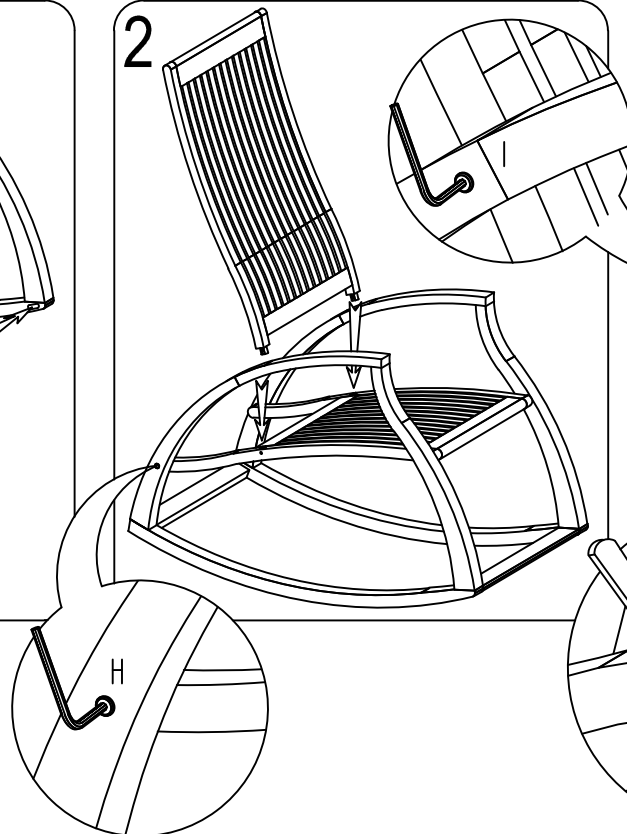


NOTE : Use a soft mallet hammer ( not included ) to prevent marking or denting wood when inserting wood dowels. Do not use excessive force to insert dowels. After inserting wood dowels, minimal sanding may be necessary to make dowel ends flush with surface.

1



2



3

