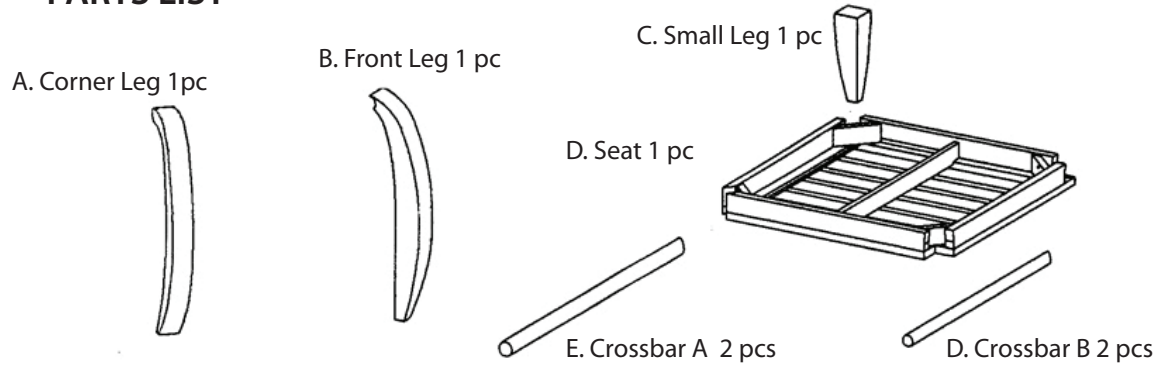




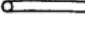



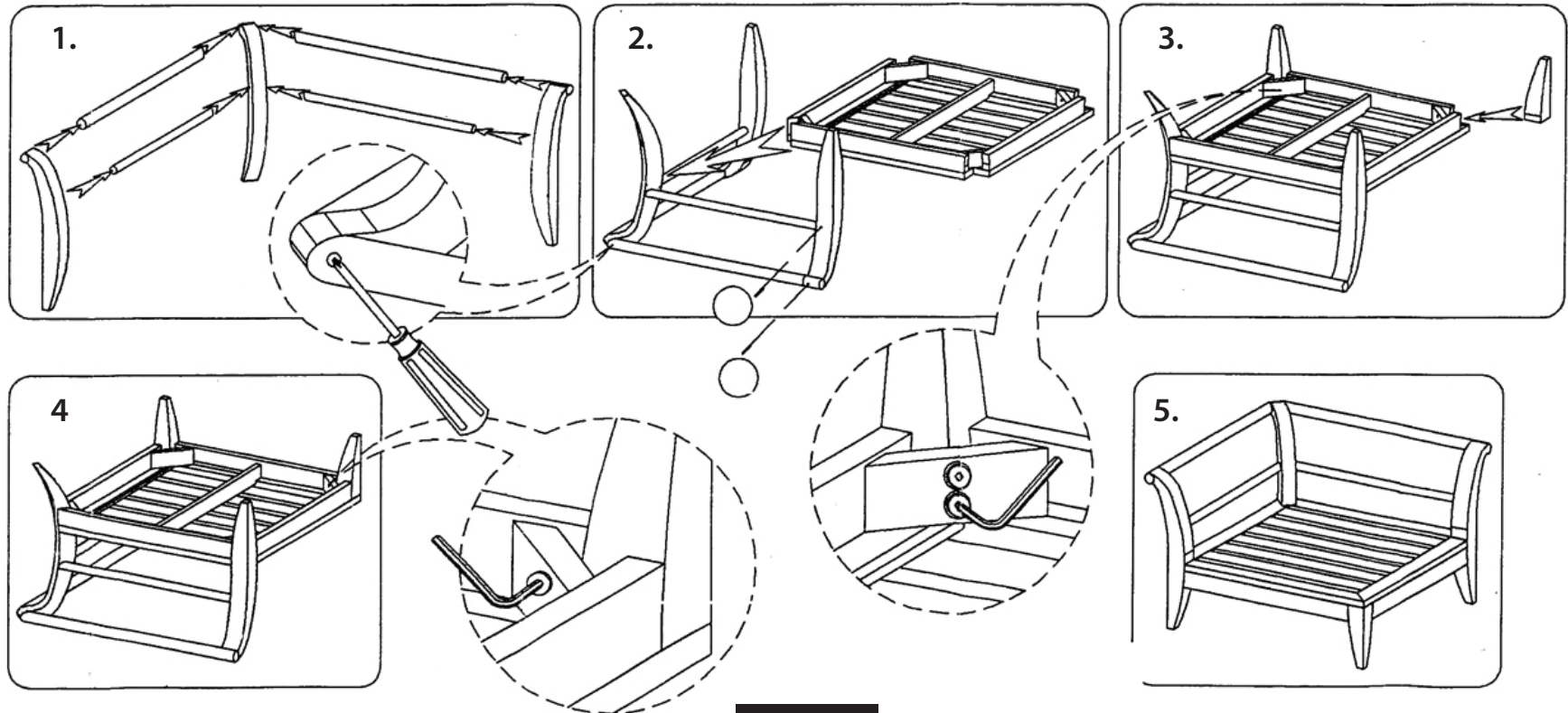
# AMAN DAIS CORNER SECTIONAL - 16765

## PARTS LIST



## HARDWARE

g. Hexagonal Screw	8 pcs	
H. Washers	8 pcs	
I. Allen Wrench	1 pc	
J. Screw	4 pcs	
K. teakwood dowels	4 pcs	
Phillips screw driver (not included)		



### IMPORTANT

Each joint is unique, precise, and will fit flush. You must match the white numbered labels with the corresponding number on piece. Put all pieces together first to assure that all joints fit flush before tapping in the wooden dowels.