

BRIGHTON PLANTER 50x70 - 18108

PARTS LIST

A SIDE 2 PCS



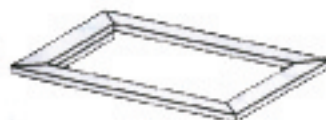
B SIDE 2 PCS



C FLOOR 1 PC



D. TOP FRAME 1 PC



HARDWARE

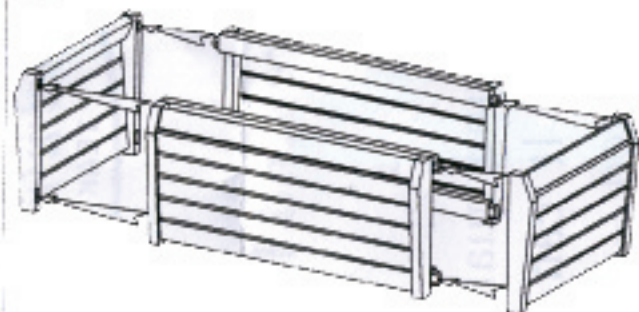
E WOODEN DOWEL 8 PCS



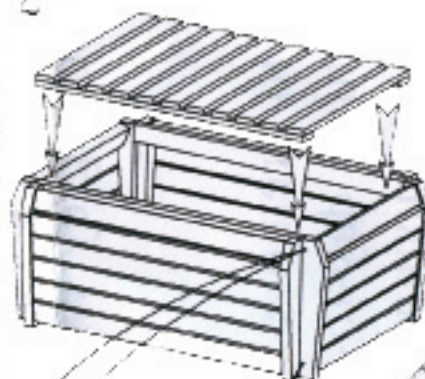
F SCREW 4 PCS



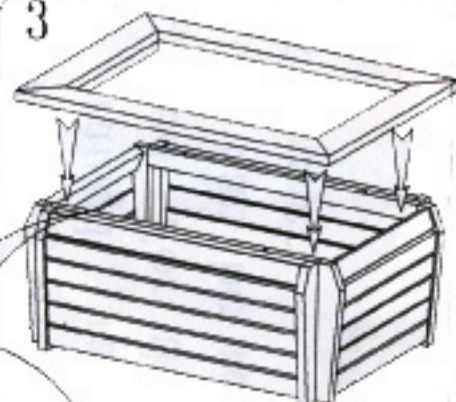
1



2



3



4

