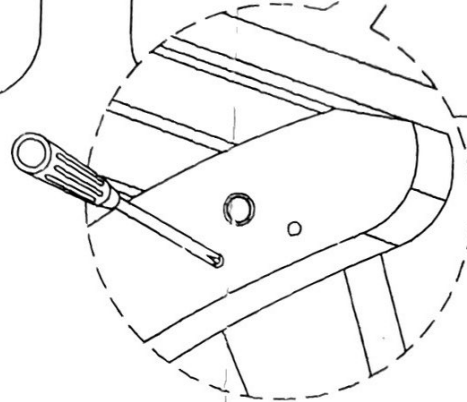
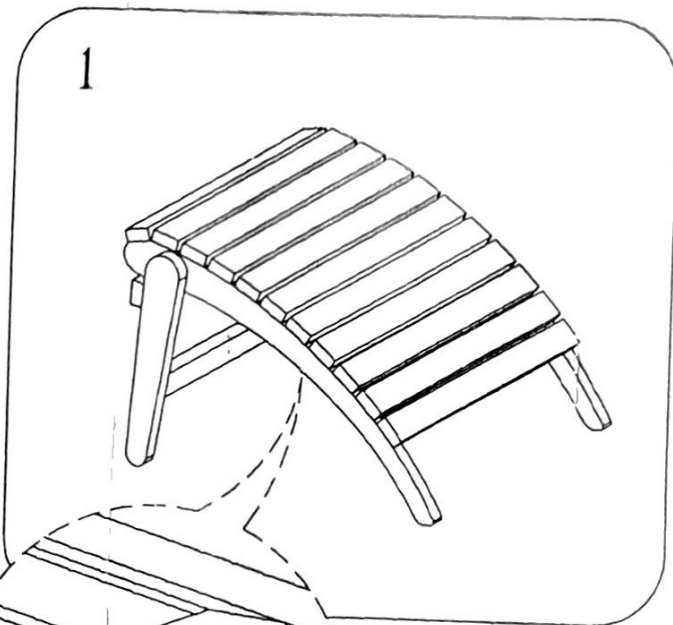
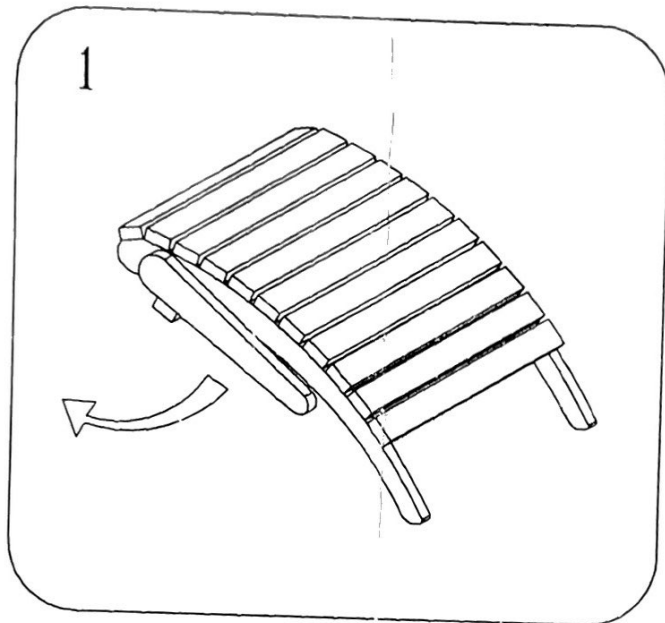
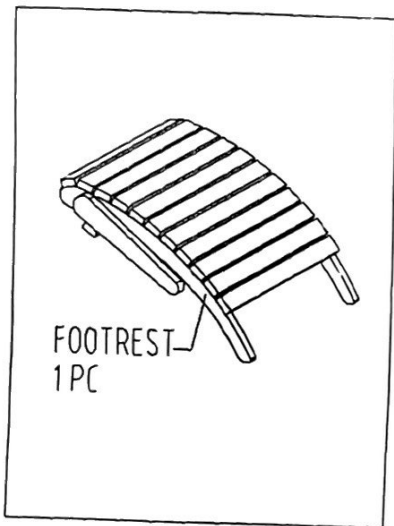
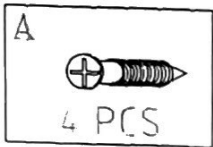


18607-TEAK ADIRONDACK FOOTREST



"IMPORTANT!!
Each joint is unique, precise and will fit flush. You must match the white numbered labels with the corresponding number on opposite piece. Put all pieces together **first** to assure that all the joints fit flush **then** tap in the wooden dowels"