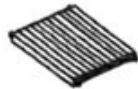


18815 - LOUNDRY TOWER

PART LIST

A. TOP FRAME 1 PCE



B. TOP END FRAME 2 PCS



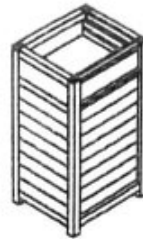
C. TOP SIDE RAIL 4 PCS



D. GLASS 3 PCS



E. BASE CABINET 1 PCE



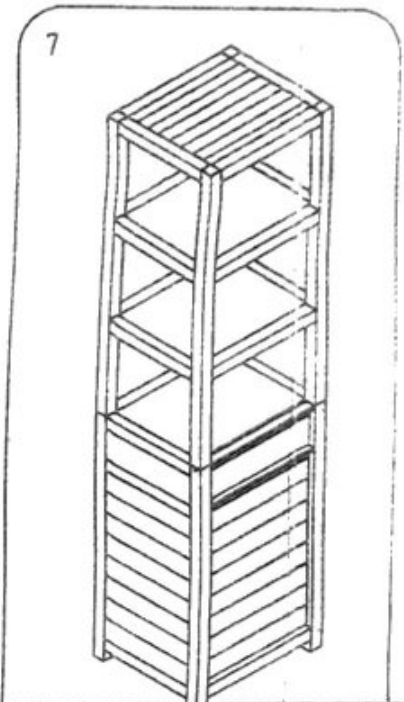
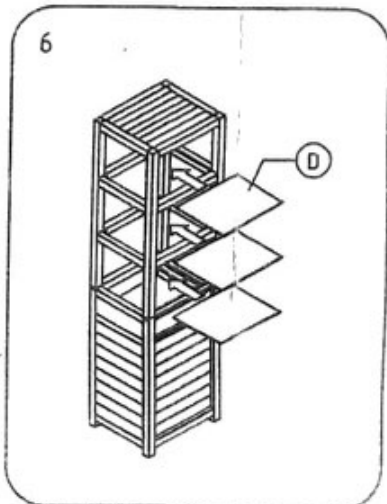
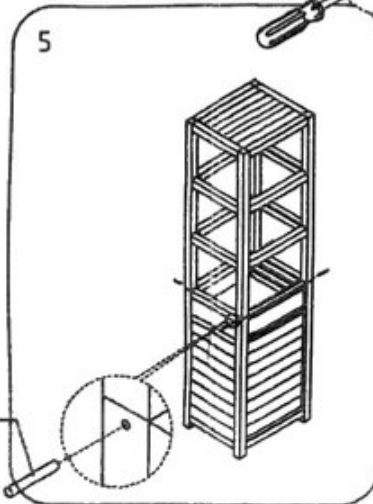
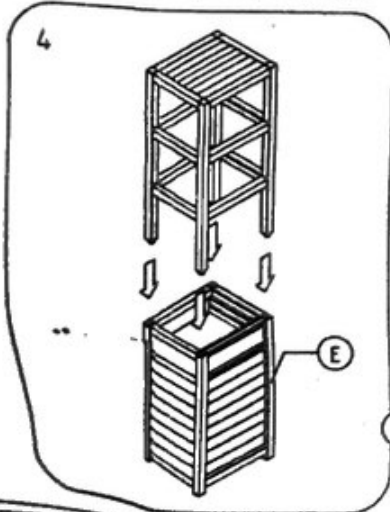
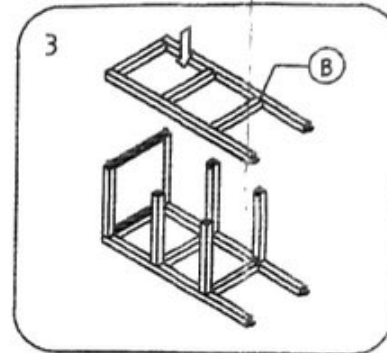
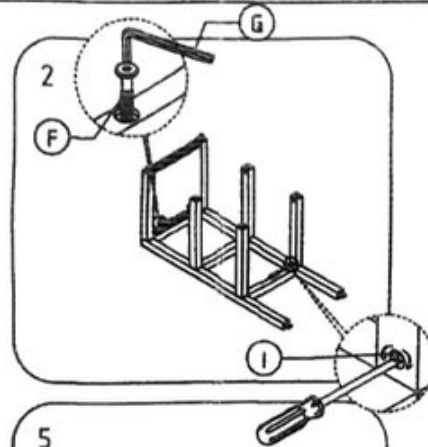
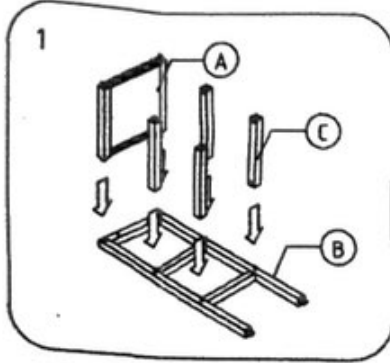
HARDWARE :

F. ALLEN HEAD BOLT 4 PCS

G. ALLEN KEY 1 PCE

H. WOODEN DOWEL 4 PCS

I. CASE MINIFIX 8 PCS



"IMPORTANT!!

Each joint is unique, precise and will fit flush. You must match the white numbered labels with the corresponding number on opposite piece. Put all pieces together first to assure that all the joints fit flush then tap in the wooden dowels"