

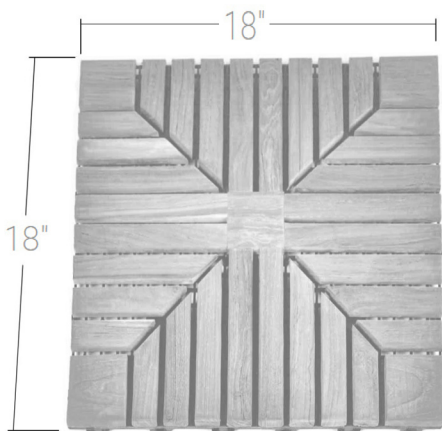


DIAMOND TILES (18" X 18")

PRODUCT ID 18408P

MEASUREMENT

18" L x 18" W x 1.25" H per tile
9 Tiles per carton



WEIGHT 37 lbs

ASSEMBLY

No Assembly Required

MATERIAL

Premium Grade teak from renewable Plantations.

888.592.8325 | www.westminsterteak.com
FLORIDA | CALIFORNIA | SHOWROOM 2915 Red Hill Ave B107, Costa Mesa, CA 92626